

VINYLTECH AWWA C900 BLUE

TECHNICAL DATA SUBMITTAL (14" - 24")



CONFORMANCE

These specifications designate the requirements for manufacturing and installing Vinyltech AWWA C900 PVC Pressure Pipe for potable water (14"-24").

ANSI/AWWA C900 - Polyvinyl Chloride (PVC) Pressure Pipe and Fabricated Fittings, 4" Through 60" (100mm Through 1,500mm)

AWWA C605 - Underground Installation of Polyvinyl Chloride (PVC) Pressure Pipe and Fittings for Water ASTM D1784 - Standard Specification for Rigid Poly (Vinyl Chloride) (PVC) Compounds and Chlorinated Poly (Vinyl Chloride) (CPVC) Compounds

ASTM D1784 - Standard Specification for Rigid Poly (Vinyl Chloride) (PVC) Compounds and Chlorinated Poly (Vinyl Chloride) (CPVC) Compounds

ASTM D3139 - Standard Specification for Joints for Plastic Pressure Pipes Using Flexible Elastomeric Seals

ASTM F477 - Standard Specification for Elastomeric Seals (Gaskets) for Joining Plastic Pipe

NSF/ANSI 61, Annex G "Drinking Water Systems Components-Health Effects"

PIPE COMPOUND

The pipe shall be extruded from compounds meeting (PVC1120) the requirements of Cell Classification 12454, as defined in ASTM D1784, Standard Specification for Rigid Poly (Vinyl Chloride) (PVC) Compounds and Chlorinated Poly (Vinyl Chloride) (CPVC) Compounds. The PVC shall also be listed by the National Sanitation Foundation (NSF) for use in potable water.

PIPE

Vinyltech pipe shall be manufactured in accordance with AWWA C900.

GASKET JOINT

The gasket shall be reinforced with a steel band and meet the requirements of ASTM F477. Vinyltech pipe shall have an integral bell end with a locked-in factory installed gasket and shall meet the joint requirements of ASTM D3139.

MARKING

The pipe shall be marked in accordance with AWWA C900.

QUALITY CONTROL

Each length of the pipe including the bell shall be hydrostatically tested in accordance with AWWA C900. The pipe shall meet all additional test requirements as described in AWWA C900. Our full-time quality assurance staff continually administers a rigid program of tests to maintain the production of the best quality pipe products available.

INSTALLATION

Recommended installation procedures of Vinyltech Corporation are outlined in AWWA C605, Underground Installation of Polyvinyl Chloride (PVC) Pressure Pipe and Fittings for Water. The AWWA Manual M23, PVC Pipe-Design and Installation, is also an invaluable resource guide for design and installation.

TAPPING

The consistent success of tapping PVC pressure pipe is contingent upon the use of proper procedures and equipment. Vinyltech recommends strict compliance with the requirements as specified in AWWA C605.

ASSEMBLING THE PIPE

Assembly of Vinyltech PVC water pipe is easily accomplished. A depth of entry mark is on each spigot end to serve as a visual check for rapid, accurate joint inspection. **Do not over insert.**

- 1) Remove any mud, sand, or other foreign matter from the belled and spigot ends of the pipe. Carefully clean the gasket area.
- 2) With a clean applicator (a brush or hand) lubricate the entire surface of the pipe from the spigot end to the depth of entry mark and the contact surface of the gasket with **Vinyltech Brand Lubricant**.
- 3) Brace the bell to avoid disturbing the already installed joints. Align the pipe, insert the spigot into the bell and push.
- 4) **Do not insert past the entry mark line.**



CERTIFIED TO
NSF/ANSI 61



C900 DR 25 Pressure Class 165

NOMINAL SIZE		OUTER DIAMETER (IN)	MINIMUM WALL (IN)	FEET PER LIFT	LIFTS PER TRUCK	APPROXIMATE WEIGHT (LB/100')
(IN)	(mm)					
14	350	15.3	0.612	120	12	1935
16	400	17.4	0.696	40/60	20	2575
18	450	19.5	0.78	40/60	20	3165
*20	500	21.6	0.864	80	8	3900
*24	600	25.8	1.032	60	6	5600

C900 DR 21 Pressure Class 200

NOMINAL SIZE		OUTER DIAMETER (IN)	MINIMUM WALL (IN)	FEET PER LIFT	LIFTS PER TRUCK	APPROXIMATE WEIGHT (LB/100')
(IN)	(mm)					
14	350	15.3	0.729	120	12	2210
16	400	17.4	0.829	40/60	20	2883
18	450	19.5	0.929	40/60	20	3635
*20	500	21.6	1.029	80	8	4468
*24	600	25.8	1.229	60	6	6420

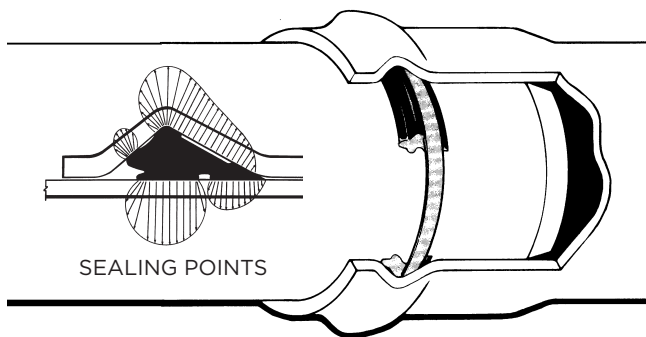
C900 DR 18 Pressure Class 235

NOMINAL SIZE		OUTER DIAMETER (IN)	MINIMUM WALL (IN)	FEET PER LIFT	LIFTS PER TRUCK	APPROXIMATE WEIGHT (LB/100')
(IN)	(mm)					
14	350	15.3	0.85	120	12	2650
16	400	17.4	0.967	40/60	20	3475
18	450	19.5	1.083	40/60	20	4340
*20	500	21.6	1.200	80	8	5350
*24	600	25.8	1.433	60	6	7650

C900 DR 14 Pressure Class 305

NOMINAL SIZE		OUTER DIAMETER (IN)	MINIMUM WALL (IN)	FEET PER LIFT	LIFTS PER TRUCK	APPROXIMATE WEIGHT (LB/100')
(IN)	(mm)					
14	350	15.3	1.093	120	12	3300
16	400	17.4	1.243	40/60	20	4450
*18	450	19.5	1.393	40/60	20	5341
*20	500	21.6	1.543	80	8	6566

*Northern Pipe Products



The Rieber Sealing System

The Rieber system provides a proven pipe joint with an excellent track record in the field. It is the fastest growing system in the world because of its many advantages.

- Factory installed, locked-in gasket
- The pipe bell forms over the gasket, making a perfect fit
- Avoids the possibility of installing the wrong gasket
- Reduces installation problems
- The locked-in gasket eliminates gasket roll-out during joining
- The gasket is molded vs. extruded and spliced
- Works equally well under pressure or vacuum
- Three sealing points achieved vs. two
- **LEAK-PROOF JOINTS**
- **"THE WORLDS BEST JOINT"**